

Outdoor Normal-Pitch LED Screen

MW7504



Product Overview

The MW7504 LED display screen features small space, long service life, and low maintenance cost. It can be seamlessly spliced to give the optimum conditions to display at many angles thanks to the super-high brightness and contrast as well as the ultra-wide field of view.

Key Features

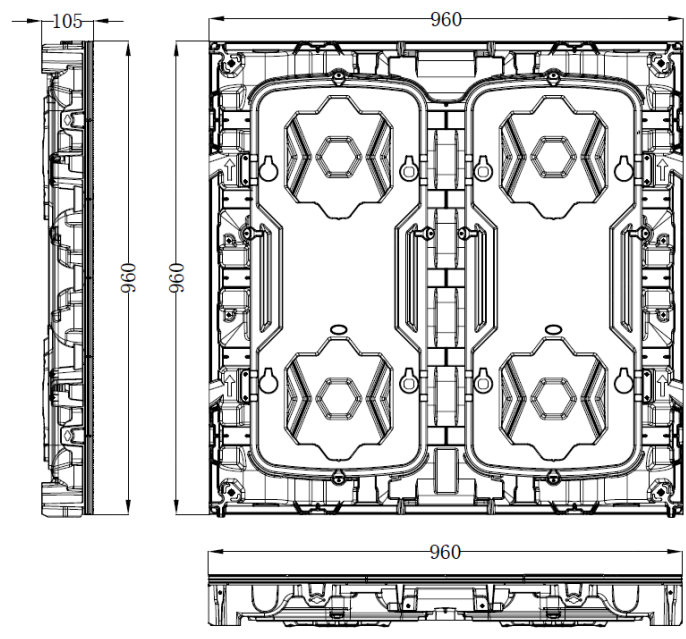
- 4mm pixel pitch. The R, G, B wafers are encapsulated together to form a single pixel, delivering excellent color mixing effect and consistency.
- The lamp board and drive board are integrated, ensuring even current distribution, low power consumption, and fast heat dissipation.
- Driver ICs at high refresh rate make the images delicate and smooth.
- The industrial power supply with a wide voltage range allows continuous power. Over 90% power conversion rate helps saving energy and protecting the environment.
- Ultra-high brightness, low attenuation, high reliability, and high weather resistance.
- LEDs of white inside and black outside, presenting high contrast.
- The PCB surface of modules is properly treated to prevent moisture, water, and corrosion. The modules adopt PC engineering plastic bottom shells and undergo the AB glue dispensing treatment for water prevention and anti-UV treatment. The surface uses the hermetic structure, which can achieve the waterproof rating of IP65.
- Long service life.
- Ultra-wide field of view and satisfactory display effects from diversified angles.
- Die-cast aluminum cases with high precision, good flatness, and excellent thermal conductivity.

Specifications

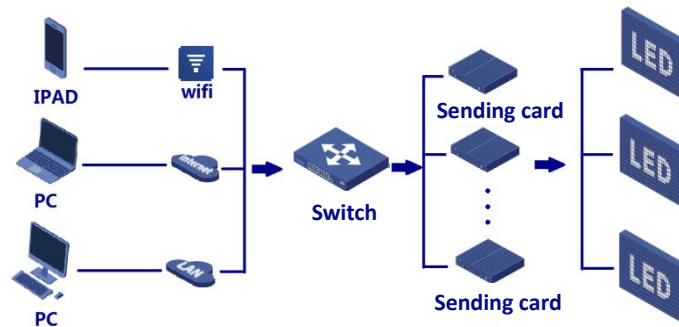
Model	MW7504
LED Module	
Pixel Pitch	P4
Resolution (W×H)	80×40
Dimensions (W×H)	320mm×160mm
LED Unit	
Dimensions (W×H×D)	960mm×960mm×105mm
Modules Component (W×H)	3×6
Resolution (W×H)	240×240
Weight(Kg/pcs)	30
Screen Area	0.9216m ²
Pixel Density	62,500 pitches/m ²
Surface Evenness	≤0.35mm
Material	Magnesium aluminum alloy
Optical	
Single Pixel Brightness Correction	Supported
Single Pixel Color Correction	Supported
Brightness	5,500 nits
Color Temperature	3,500K to 9,300K adjustable
Viewing Angle	Horizontal 140°, Vertical 140°
Center Distance Deviation of LED	≤2.5%
Brightness Uniformity	≥98%
Color Uniformity	≤±0.003 Cx, Cy
Contrast	3000:1
Processing Performance	
Grey Level	14 bits
Driving Mode	Constant current driving, 1/10 scan
Frame Frequency	50/60Hz
Refresh Rate	≥2,000Hz
Electrical	
Power Supply	180 to 260V AC
Max Consumption	950W/m ²
Average Consumption	320W/m ²
General	
Maintenance Mode	Rear maintenance
Ingress Protection	IP65
Operation Temperature	-30°C to +60°C

Operating Humidity	10% to 90% RH (no condensation)
Storage Temperature	-40°C to +85°C
Storage Humidity	10% to 90% RH
Working Hours	100,000

Dimensions



Typical Applications



Order Information

Model	Remarks
MW7504	Normal-pitch LED screen

Zhejiang Uniview Technologies Co., Ltd.

Building No.10, Wanlun Science Park, Jiangling Road 88, Binjiang District, Hangzhou, Zhejiang, China

Email: overseasbusiness@uniview.com; globalsupport@uniview.com

<http://www.uniview.com>

©2016 Zhejiang Uniview Technologies Co., Ltd. All rights reserved.

* Product specifications and availability are subject to change without notice.